

# AQUA

爱克



Preferred professional swimming pool equipment

泳池设备专业之选

## QSC/QSCpro 盐氯发生器 SALT CHLORINATOR



▲ QSC



▲ QSCpro

# QSC/QSCpro 盐氯发生器

# Salt chlorinator

## QSC

- 这款盐氯发生器设计有可拆开清洗钛金属板的活动结构,方便对钛金板进行日常清洗维护。要使盐氯发生器正常工作,只需保持合适的盐浓度即可。
- 盐氯发生器具有产氯量调节功能,只需轻按控制按键,即可对产氯量从20%-100%进行调整,满足在不同情况下的实际的使用需求在水中加入适量食盐,您的整个水质管理操作工作即已基本完成。

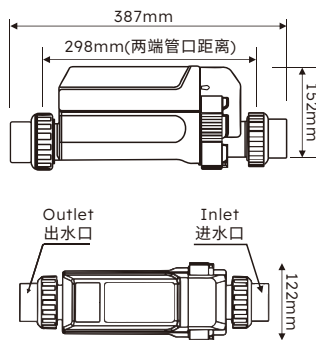
## QSCpro

- **智能控制:**可通过手机,平板等实现智能控制,无论何时何地都能轻松管理,控制您的泳池消毒;
- **低盐模式:**在低盐模式时可自适应降档运行;
- **自洁功能:**pro盐氯发生器有自洁功能,可根据客户需求自定义自洁时间,减少钛板的污垢生成,延长产品使用寿命;
- **缺盐提示:**缺盐时提示泳池所需的加盐量;
- **键BOOST:**BOOST加速制氯,可以快速消杀微生物并分解氨氮。

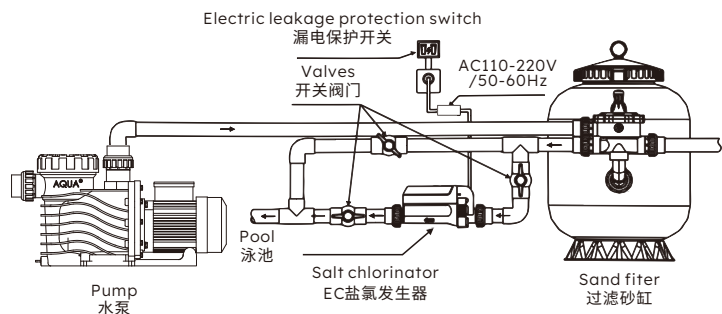
- Salt Chlorinator applied advanced micro-computer technology and customer oriented design, to provide the most energy saving and environmental friendly method to sanitize small and medium pools.
- Chlorine output is adjustable from 20% to 100% by simply pressing two button, satisfying different needs for different pools.
- Different from those traditional disinfecting equipments, this salt chlorinator doesn't produce any disgusting smells. Discomfort like pinkeye or skin itch can be avoided as well

- **Smart control:** Can be managed by mobile phones conveniently.
- **Self-adapting mode:** Adaptive downshift in low salt mode.
- **Self-cleaning function:** Customize the self-cleaning time according to user's needs, to reduce the dirt and extend the life of the product.
- **Salt shortage reminder:** It will alarm the required amount of salt when the salt is insufficient.
- **One-Click BOOST:** BOOST can accelerate the chlorine production to disinfect microorganisms quickly.

分解图: Exploded view:



安装示意图: Installation diagram:



技术参数及产品尺寸: Specification and size:

Model 产品型号	Chlorine Output 产氯量 (g/h)	Voltage 工作压力 (V)	Current 工作电流 (A)	Pool Volume 泳池容积 (m <sup>3</sup> )	Inlet and Outlet Diameter 进出水口径 (mm)
QSC8	8	DC24	4	35	DN40
QSC12	12	DC24	4	50	DN40
QSC16	16	DC24	4	68	DN40
QSC20	20	DC24	4	85	DN40
QSCpro4	4	DC12	2	18	DN40
QSCpro8	8	DC24	4	35	DN40
QSCpro12	12	DC24	4	50	DN40
QSCpro16	16	DC24	4	68	DN40
QSCpro20	20	DC24	4	85	DN40