

AQUA®

爱克

The quality come from life

品质源自于生活



电磁计量泵AC-10

Solenoid dosing pump AC-10

意大利独资企业设计与生产。

Italian owned enterprises design and production.

AC-10是简单而可靠的电子式的电磁计量泵。

AC-10 is a simple yet reliable electronic solenoid dosing pump.



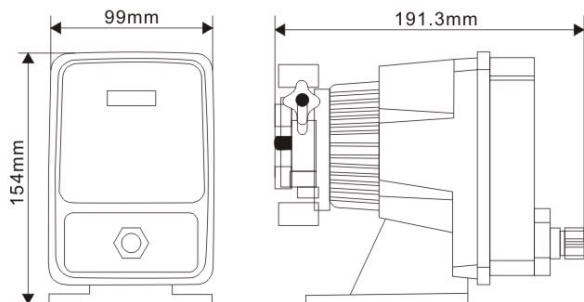
安装配件
Installation accessories



AC-10是一款由意大利工程师设计，基于微处理器控制的电磁驱动计量泵，具有操作简单，运行稳定的特点：

1. 先进的设计理念和优秀的制造工艺，造就了隔膜超长使用寿命。
2. 隔膜由纯固体PTFE材料制成，可与大多数化学品兼容。
3. 数字显示流量，简单调节流量。
4. 简易安装。

Dimensional 尺寸图



Designed by Italy engineer, AC-10 is a microprocessor controlled solenoid dosing pump, with a simple, stable operation characteristics:

1. Advanced design concepts and excellent manufacturing process, creating a long membrane life.
2. Diaphragm is made of pure solid PTFE material, can be used compatibility with most of the chemical.
3. Digital display flow rate, simply adjust the flow rate.
4. Easy Installation.

Features 特点

Enclosure 外壳	Materials 材料	PP
	Protection degree 防水等级	IP65
Pump Head materials 泵头材料	Pump Body 泵体	PVDF (with manual priming valve 带手动吸气阀)
	Valves 阀门	PVDF
	Balls 球	Ceramic 陶瓷的
	Diaphragm 隔膜	PTFE (the diaphragm has been tested over a period of 5 years 隔膜经过历时五年的测试)
Power Supply 电源	AMS:	100-240 Vac 50/60 Hz Consumption功耗 14W
Flow rate manual adjustment 流量手动调节	0-100%	
Flow 流量	9L/h	Maximum Pressure 最大压力 10Bar

