

AQUA



Preferred professional swimming pool equipment

AU PROFESSIONAL SWIMMING POOL PUMP

Suitable for various types of swimming pools and hot springs up to 70°C.
Max working pressure 6kg/cm².



High temperature resistant tooth flange (optional)



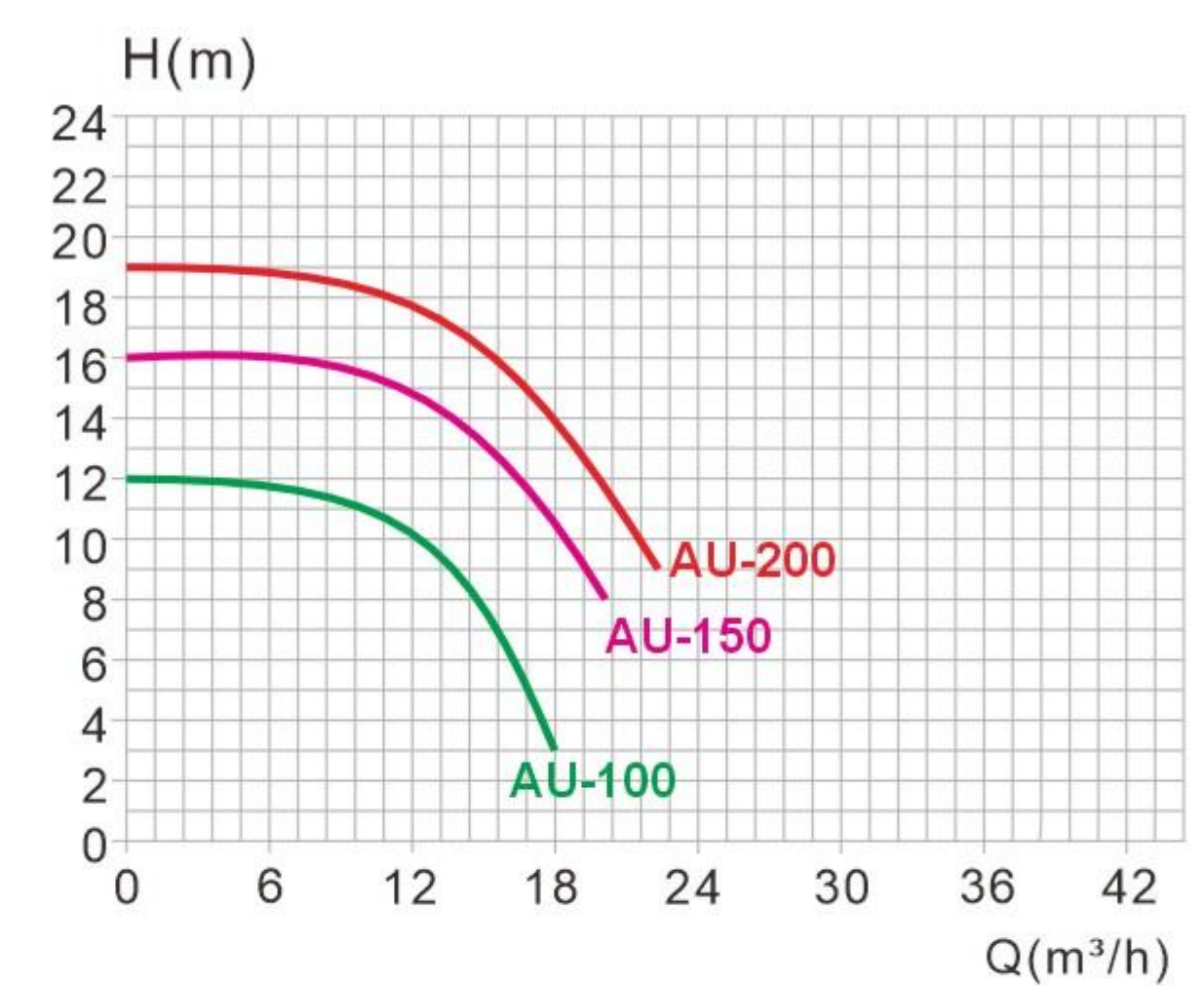
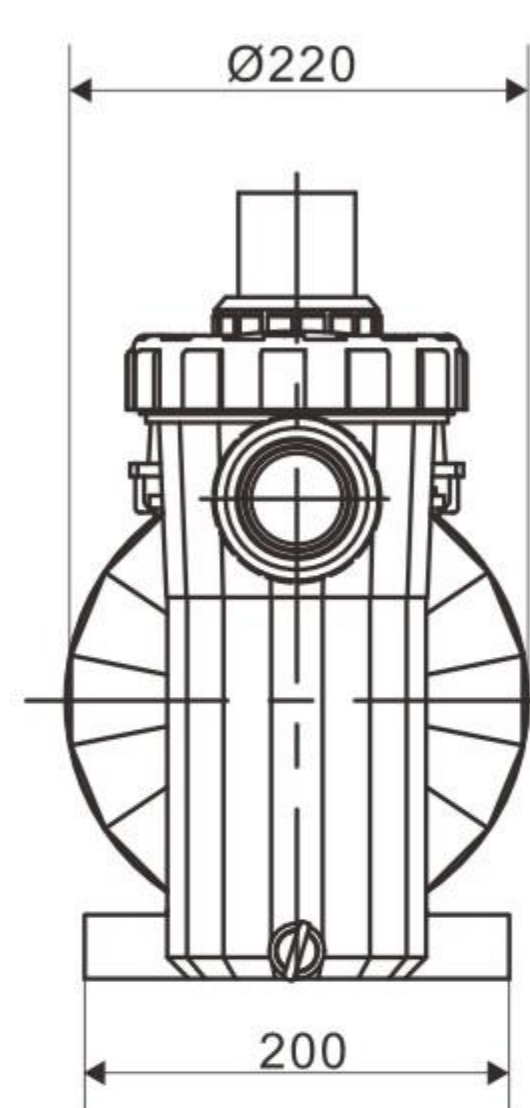
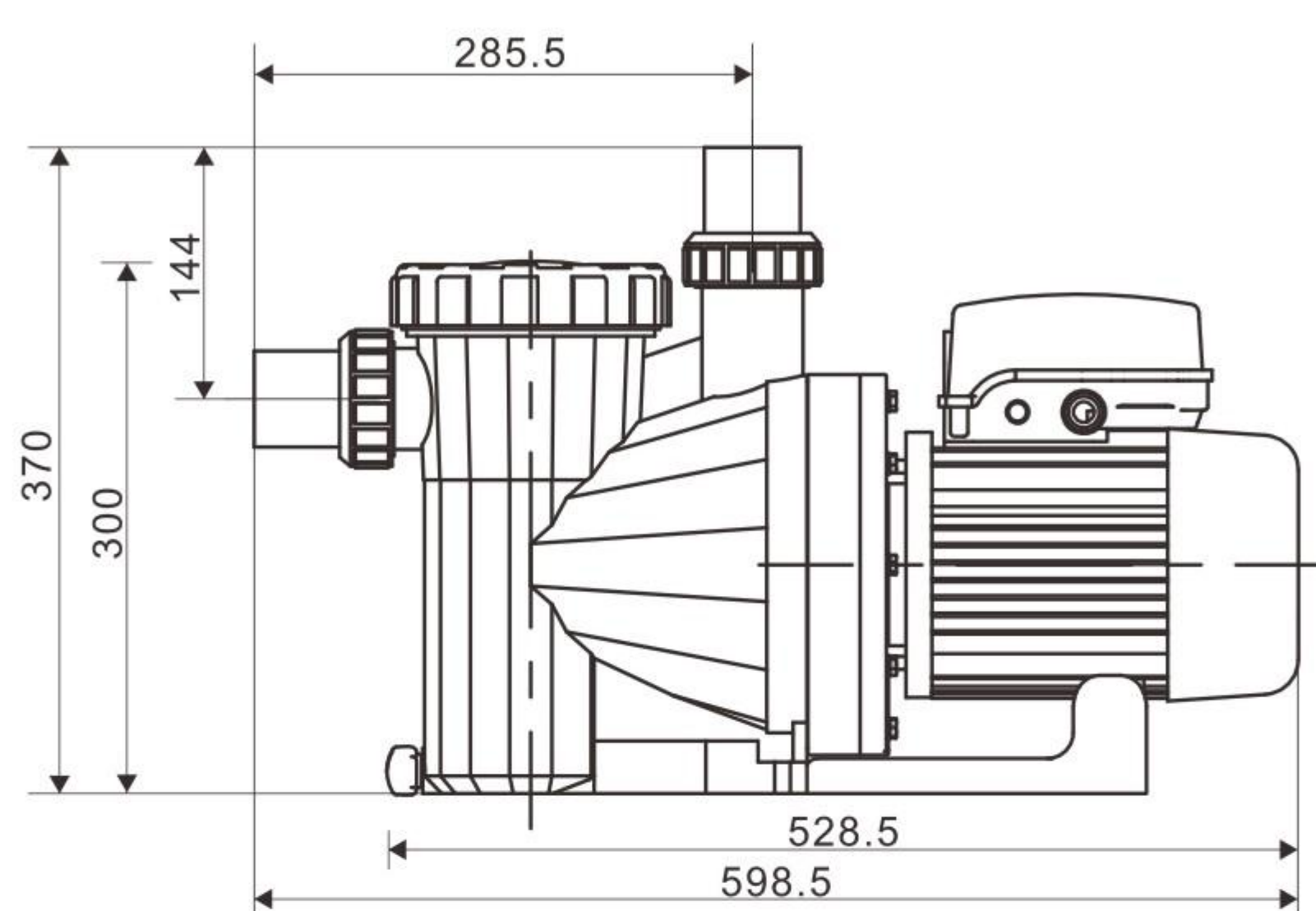
AQUA



AU PROFESSIONAL SWIMMING POOL PUMP

- IP55 waterproof standard.
- Big flow rate.
- Low noise.
- Maximum working pressure up to 7kg/cm².
- 316 stainless steel shaft.
- Graphite/ceramic mechanical seal.
- Suitable for maximum hot water temperature up to 70°C.

Specification and size:



| Model | Voltage | Connection Size | Power | Weight | Length | Width | Height |
|---------------|---------|-----------------|-------|--------|--------|-------|--------|
| | (V) | | | | | | |
| AU-100 | 220 | DN40 | 0.75 | 15.2 | 528.5 | 220 | 300 |
| AU-150 | 220 | DN40 | 1.1 | 15.6 | 528.5 | 220 | 300 |
| AU-200 | 220 | DN40 | 1.5 | 16.0 | 528.5 | 220 | 300 |