

AQUA



Preferred professional swimming pool equipment

ALK PROFESSIONAL SWIMMING POOL PUMP

Suitable for various types of swimming pools and hot springs up to 70°C.
Max working pressure 6kg/cm².

Low noise,
High flow rate, Long lasting,
50% energy and electricity saving.



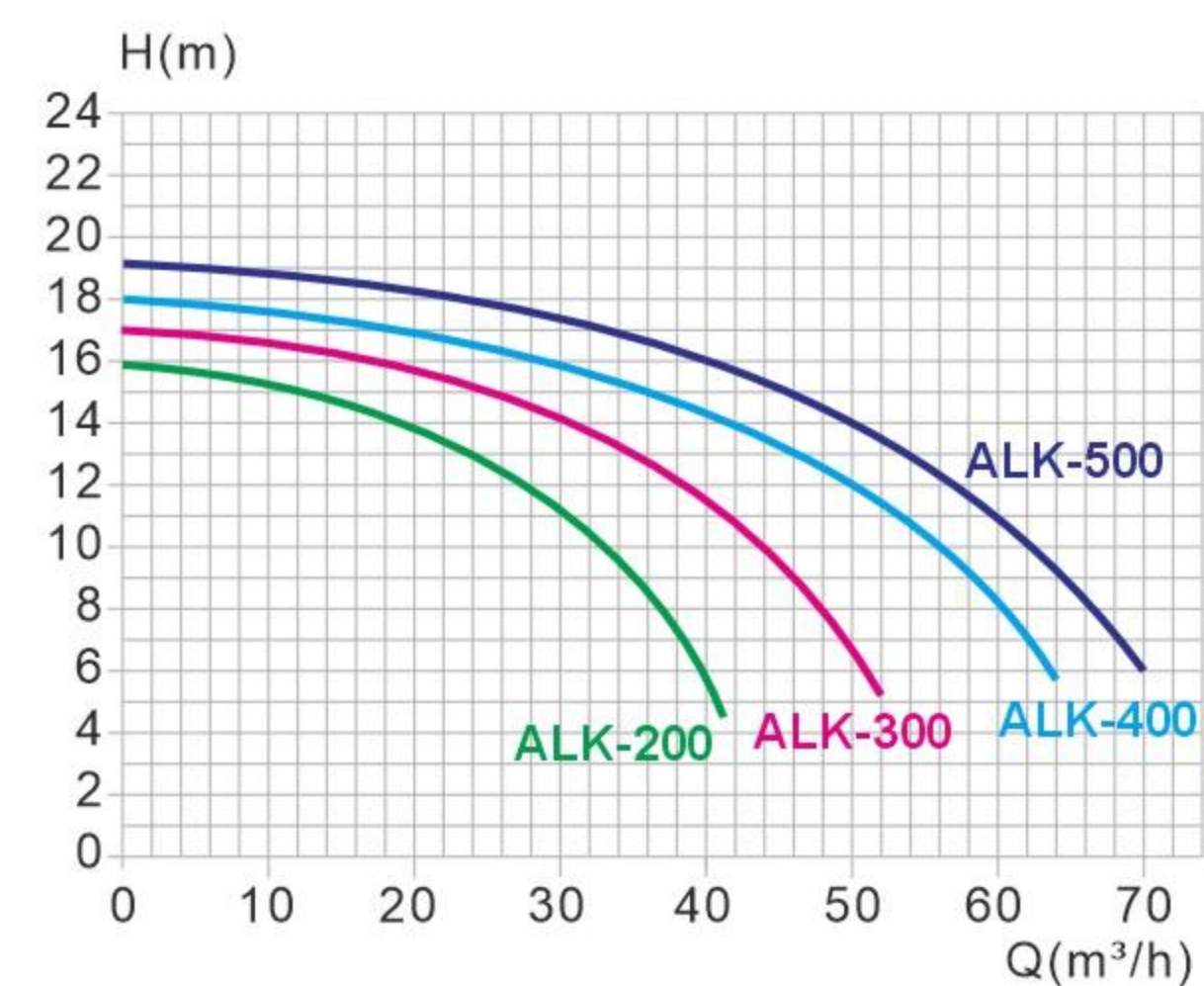
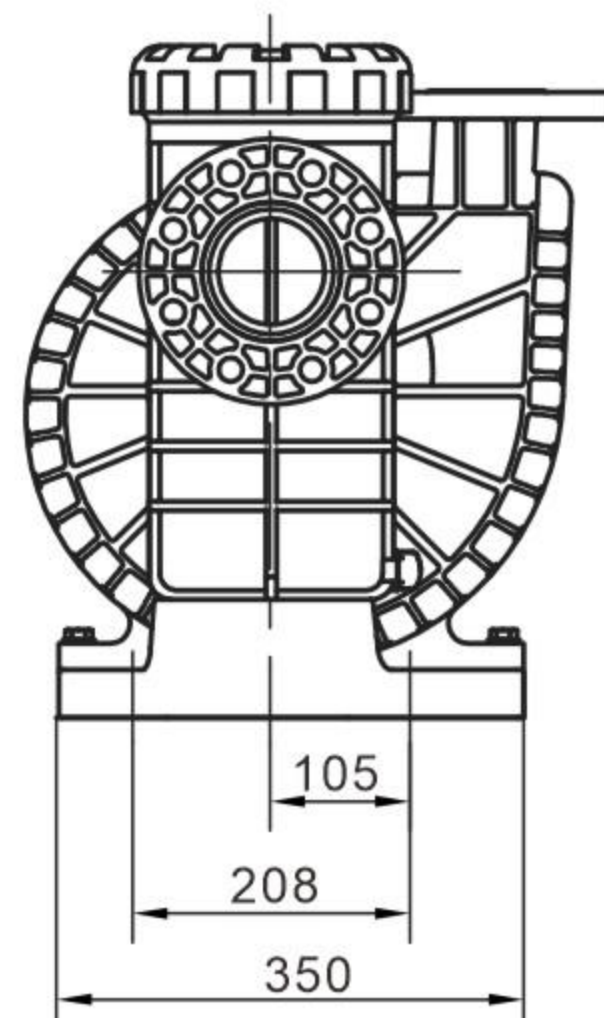
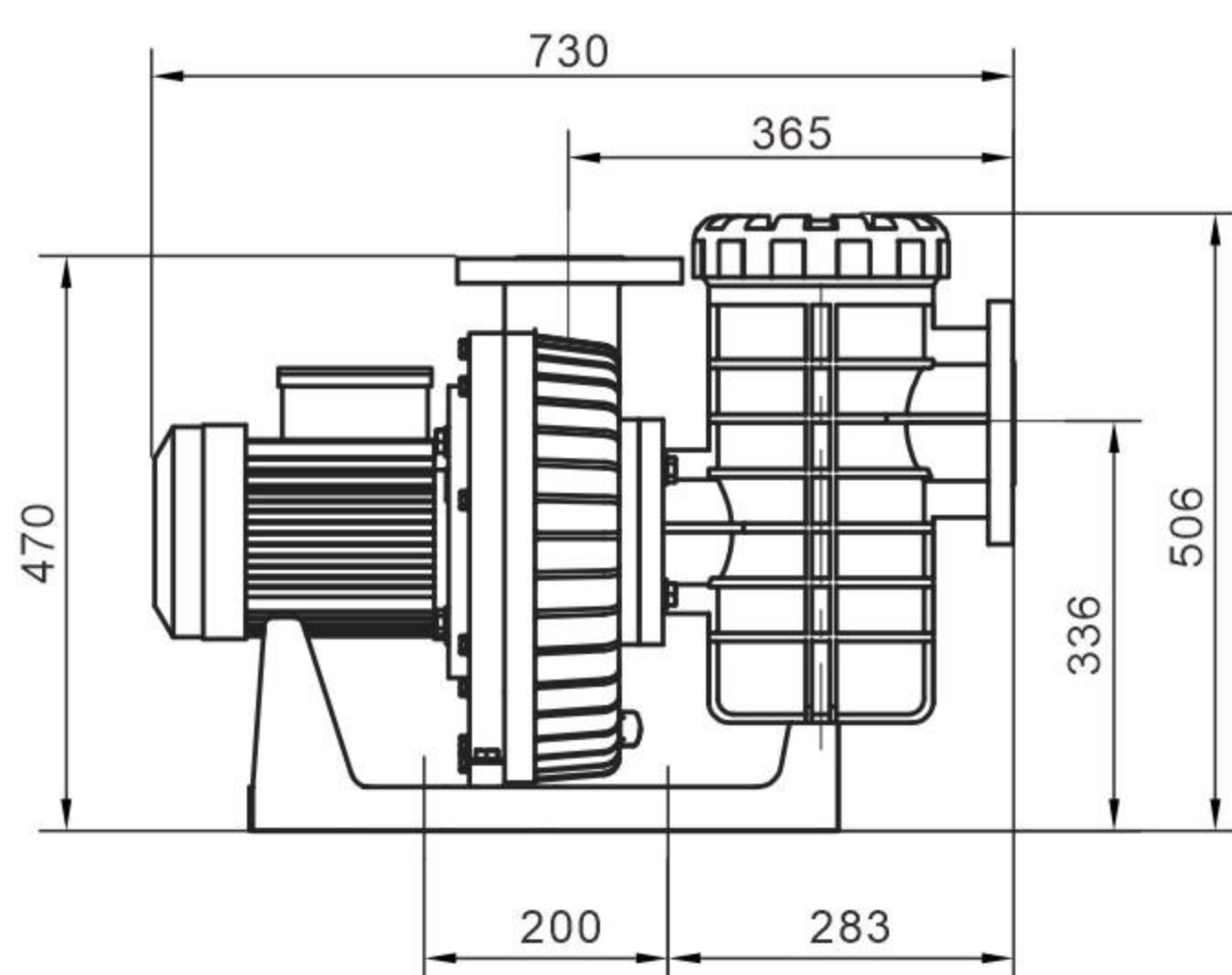
AQUA



ALK PROFESSIONAL SWIMMING POOL PUMP

- Low noise, 4 pole motor 1450rpm speed, running sound is 10 dB lower than ordinary water pump.
- 50% energy and electricity saving, the flow rate is twice more than ordinary water pumps in the same power, and the saved electricity cost for half a year exceeds the cost of the pump.
- Wide application, suitable for swimming pool, SPA, hot spring, aquarium, etc.
- Long lasting, the pump can be used for more than ten years.
- Corrosion resistance, using 316L stainless steel motor shaft, 316 stainless steel spring, Italian graphite mechanical seal.
- Using international well-known NSK brand bearing, small friction coefficient, and maintenance-free.
- The motor is IP55 waterproof and F-class insulated.
- Sturdy and durable large-capacity filter basket, smooth inner surface is easier to clean.

Specification and size:



Model	Voltage	Power		Inlet	Outlet	Hmax	Qmax	Weight
	(V/Hz)	(kW)	(HP)			(m)	(m³/h)	
ALK-200	380/50	1.5	2.0	DN80	DN65	16	41	31
ALK-300	380/50	2.2	3.0	DN80	DN65	17	52	32
ALK-400	380/50	3.0	4.0	DN80	DN65	18	65	35
ALK-500	380/50	3.8	5.0	DN80	DN65	19	75	36